



Automatización Eléctrica
Especialistas en Automatización

At the end of this document you will find links to products related to this catalog. You can go directly to our shop by clicking HERE. [HERE](#)

ENGINEERING
TOMORROW

Danfoss

VLT® Micro Drive

Small, powerful and built to last
Save panel space and **reduce**
installation costs

150%

motor torque for up
to 1 minute enables
you to use a smaller
drive without
sacrificing efficiency

www.danfoss.com/drives

VLT®
THE REAL DRIVE

Ready – Steady – Go!

Connect motor and power cables, turn the control knob, and watch the motor speed change



RoHS compliant

The VLT® Micro Drive does not contain lead, cadmium, hexavalent chrome, mercury, or flame retardant PBB and PBDE.

- | | |
|--|---|
| <ul style="list-style-type: none"> 1 Well protected IP 20 enclosure
No forced air flow through electronics 2 IP 20 even without terminal cover 3 High quality capacitors 4 RFI Filter 5 DC-link access 6 Hot pluggable LCP 7 LCD display | <ul style="list-style-type: none"> 8 Potentiometer 9 RS 485 pluggable 10 Customer relay screw terminals
Wire inlet from the bottom 11 Safety earth
– min. 4 mm² accessible from front 12 I/O terminals 13 Mains screw terminals 14 Motor screw terminals |
|--|---|



Compact VLT® quality

VLT® Micro Drive is a genuine VLT® frequency converter with unsurpassed reliability, user-friendliness, condensed functionality, and is extremely easy to commission. Terminal numbers are named in the same manner as in the rest of the VLT® family.

Reliable and user friendly

The VLT® Micro Drive is a full member of the VLT® family, sharing the overall quality of design, reliability and user-friendliness.

Small drive – big performance

Despite the compact size and the easy commissioning, a VLT® Micro Drive can be set up to perform perfectly, even in complex application set-ups. Approximately 100 parameters can be set to optimize energy efficiency and operation.

User friendly

Plug-and-play	Minimum effort – minimum time
Minimum commissioning	Save time
Copy settings via local control panel	Easy set up of multiple drives
Intuitive parameter structure	Minimal manual reading
Complies with VLT® software	Save commissioning time

Reliable

Optimum heat dissipation	Longer lifetime
High quality electronics/capacitors	Low lifetime cost
All drives full load tested from factory	High reliability
Earth fault, temperature and short circuit protection	Lean operation
Circuit boards well protected and coated	Increased robustness

Small drive – high performance

Process PI-controller	No need for external controller
Automatic Energy Optimizer (AEO)	Less energy consumption
Automatic Motor Tuning (AMT)	Exploit motor's full potential
150% motor torque up to 1 minute	Replace need for bigger drive
Flying start (catch a spinning motor)	Lean operation – more up-time
Electronic Thermal relay (ETR)	Replace external motor protection
Smart Logic Controller	Often makes PLC ommissible
Built-in RFI filter	Save cost and space

In- and outputs

- 5 programmable digital inputs
- PNP/NPN selection
- Pulse input 20 – 5000 Hz
- 1 analogue input
0 – 10 V or 0 – 20 mA
- 1 analogue input 0 – 20 mA
- Thermistor input
(analogue/digital)
- 1 analogue output 0 – 20 mA
- 1 relay 240 V AC, 2 A
- RS485 FC-bus
- Modbus RTU

Compact general purpose drive

The VLT® Micro Drive is a general purpose drive that can control AC motors up to 22 kW.



Compact design – Uncompromised quality

Space saving

A compact, book-style design allows side-by-side mounting without derating.

Minimum penetration of dust

VLT® Micro Drives are designed to keep the forced ventilation away from the electronics. Printed circuit boards are well protected inside the drive.

Built-in RFI

Radio disturbance from motor cables is limited with the built-in RFI filter, which allows for 15 m motor cables (screened). Meets EU norms.

Built-in brake functions

With built in DC and AC brake functions, VLT® Micro Drive can transform kinetic energy in the

application into braking power to slow down the motor. A brake chopper is built in the drives from 1.5 kW upwards.

Intelligent heat management

Process heat is removed through the heat sink, leaving electronics protected from dust and dirt from production.

Coated electronics are standard

All VLT® Micro Drives use coated electronics for longer lifetime and reliability.

Effective heat sink

An effective heat sink removes heat from the electronics and extends the lifetime and reliability of the drive.

Energy efficiency 98%

High quality VLT® power modules ensure cool running of the drive due to low losses.

50° ambient temperature

Highly efficient cooling allows up to 50° ambient temperature.



Hot pluggable display – with or without potentiometer

Remote mountable

Illuminated LCD display

Navigation buttons

Indicators
Operation buttons



Two control panel versions. Potentiometer is optional.

The control panels are shown in actual size.
H x W x D = 85 x 65 x 20 mm (D = 28 mm with potentiometer)

- LCP without potentiometer IP 54
- LCP with potentiometer IP 21
- Remote mounting kit
- LCP copy function
- Parameter numbers and values visible simultaneously
- Unit indications (A., V, Hz, RPM, %, s, HP and kW)
- Rotation direction indication
- Setup indication – 2 setups
- Removable during operation
- Up- and download functionality

Large figures, easy to read

- Display readable from distance
- Operation buttons are illuminated when active

Quick Menus

- A Danfoss defined Quick Menu
- Basic settings
- PI controller

Menu structure

- Based on the well-known matrix from the VLT® family
- Easy shortcut for the experienced user
- Edit and operate in different set-ups simultaneously

Built-in Smart Logic Controller

The smart logic controller is a simple, yet clever, way to make your drive, motor and application work seamlessly together.

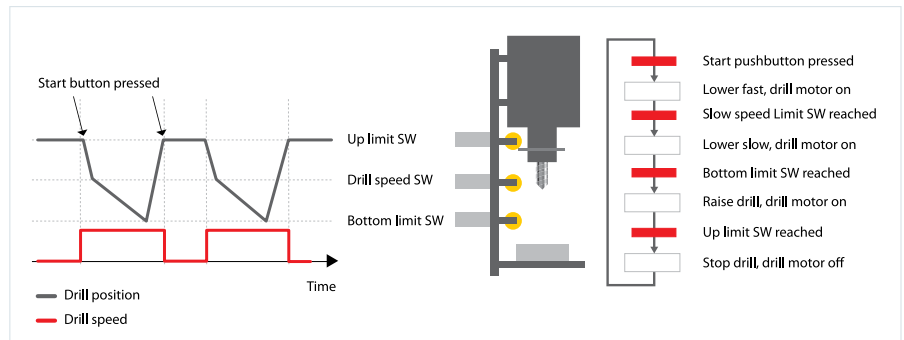
The smart logic controller is able to monitor any parameter that can be characterized as “true” or “false”.

This includes digital commands and also logic expressions, which allow even sensor outputs to influence the operation.

Temperature, pressure, flow, time, load, frequency, voltage and other

parameters combined with the operators “>”, “<”, “=”, “and” and “or” form logic expressions that are true or false. That is why Danfoss calls it a “logic”

controller. As a result of this, you can program the controller to react to literally any event.



Option – VLT® Line Filter MCC 107

Improve both the low and high frequency performance of the line current to the drive with the optional VLT® Micro Drive Line Filter, which boosts efficiency by combining a harmonic filter and an EMC filter.

Increased drive lifetime

Reducing the voltage ripple on the DC link will result in higher reliability and longer drive lifetime. Under similar running conditions (temperature, load), the expected lifetime of the DC capacitors may be extended by 2-3 times.

Improved power-factor

The VLT® Line Filter reduces the RMS value of line current. A smaller line current means higher true power-factor (PF). Typically, line current can be reduced by more than 40% and improve PF from 0.4 to 0.7 for single-phase drives and 0.47 to 0.9 for three-phase drives.

Improved high frequency conduction EMC performance

The VLT® Line Filter ensures compliance with EN 55011 class A1 for up to 50 m of motor cable, and class B up to 10 m of motor cable.

That means the VLT® Micro Drive + VLT® Line Filter, has an outstanding EMC performance in the micro-inverter class, even with relatively long motor cables.

High immunity against grid disturbances

The line filter will reduce the harmonic current drawn from the grid. The drive will comply with IEC 61000-2-2 and IEC 6100-2-4 without power derating, including 15% harmonic voltage distortion, 3% voltage imbalance and commutation notches, as described in IEC 60146-1. With the line filter, the performance of the immunity to the surge and burst impact of the drive stated in IEC61800-3 will be greatly improved.

One filter for several drives

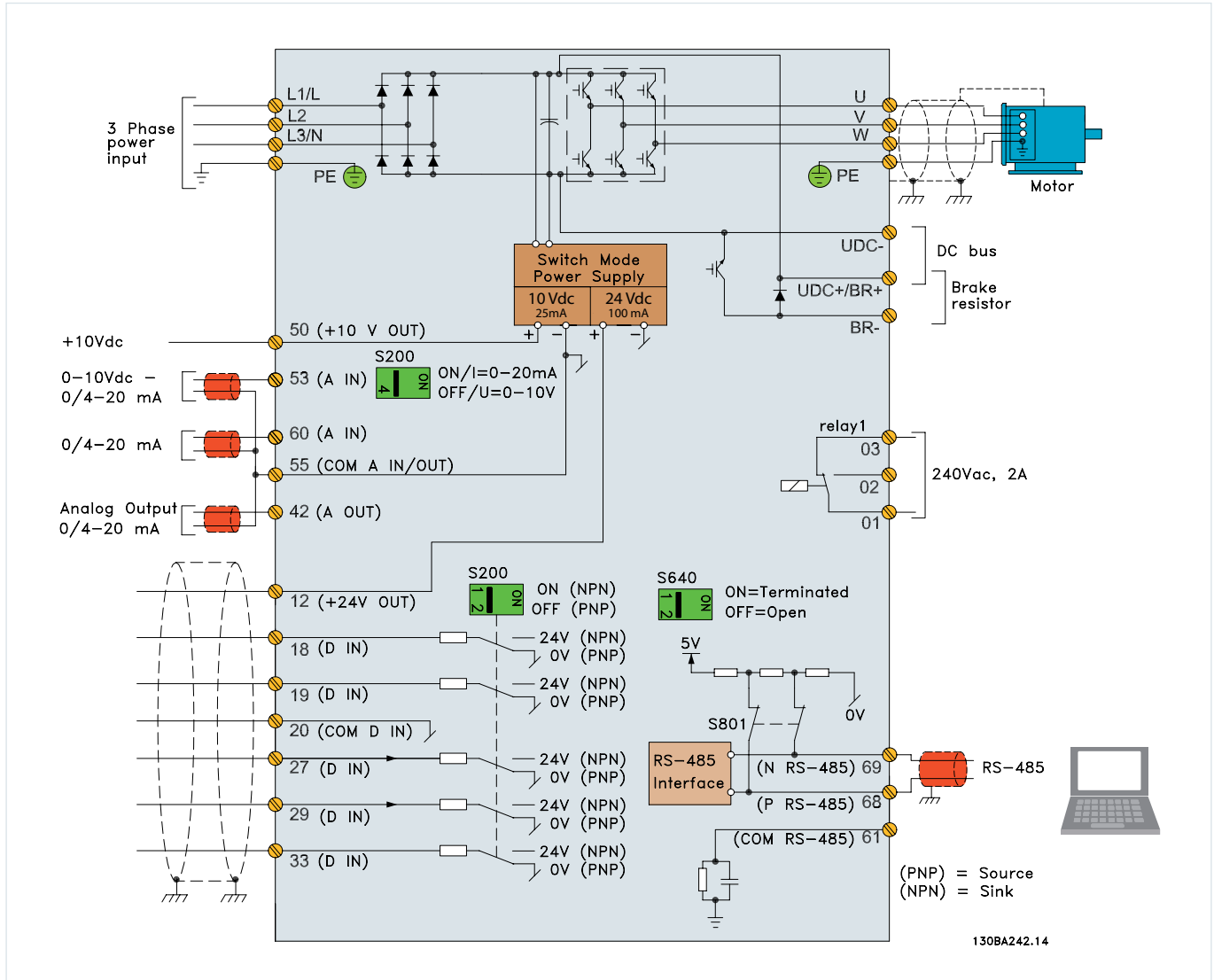
The line filter can be used for filtering several small VLT®Micro Drives. In this case the line filter should be derated by one size.

Example: 1 x FC 51 400 V/1.5 kW + 1 x FC 51 400 V/1,5 kW -> total 3.0 kW + derating one size up: select filter 400 V/4.0 kW.



Frame sizes
Three different frame sizes of line filters correspond to the M1, M2 and M3 enclosures of the VLT® Micro Drive

Connections



Accessories



Set-up software

The VLT® Motion Control Tool MCT 10 Setup Software exploits the full functionality of your PC, providing a general overview and control of even large systems.



Remote mounting kit

A dedicated mounting kit is available for mounting the local control panel (LCP) in the cabinet door.

Code numbers

VLT® Control panel LCP 11
W/o potentiometer 132B0100

VLT® Control panel LCP 12
With potentiometer 132B0101

Remote mounting kit
incl. 3 m cable 132B0102

Decoupling plate

For EMC optimized installation.

Dedicated external filters are available on request.

Specifications

Mains supply (L1, L2, L3)	
Supply voltage	1 x 200–240 V ± 10%, 3 x 200–240 V ± 10% 3 x 380–480 V ± 10%
Supply frequency	50/60 Hz
Displacement Power Factor (cos φ) near unity	(> 0.98)
Switching on input supply L1, L2, L3	1–2 times/min.

Output data (U, V, W)	
Output voltage	0–100% of supply voltage
Output frequency	0–200 Hz (VVC+ mode) 0–400 Hz (U/f mode)
Switching on output	Unlimited
Ramp times	0.05–3600 sec

Digital inputs	
Programmable inputs	5
Logic	PNP or NPN
Voltage level	0–24 V
Maximum voltage on input	28 V DC
Input Resistance, Ri	Approx. 4 kΩ

Pulse inputs	
Programmable pulse inputs	1
Voltage level	0–24 V DC (PNP positive logic)
Pulse input accuracy (0,1–110 kHz)	Max. error: 0.1% of full scale
Pulse input frequency	20–5000 Hz

Analog input	
Analog inputs	2
Modes	1 current/1 voltage or current
Voltage level	0–10 V (scaleable)
Current level	0/4–20 mA (scaleable)

Analog output	
Programmable analog outputs	1
Current range at analog output	0/4–20 mA
Max. load to common at analog output	500 Ω
Accuracy on analog output	Max. error: 1% of full scale

Ordering Numbers

Power [kW]	200–240 V		380–480 V		
	Current [I-nom.]	1 ph.	3 ph.	Current [I-nom.]	3 ph.
0.18	1.2	132F 0001			
0.25	1.5		132F 0008		
0.37	2.2	132F 0002	132F 0009	1.2	132F 0017
0.75	4.2	132F 0003	132F 0010	2.2	132F 0018
1.5	6.8	132F 0005	132F 0012	3.7	132F 0020
2.2	9.6	132F 0007	132F 0014	5.3	132F 0022
3.0				7.2	132F 0024
3.7	15.2		132F 0016		
4.0				9.0	132F 0026
5.5				12.0	132F 0028
7.5				15.5	132F 0030
11.0				23.0	132F 0058
15.0				31.0	132F 0059
18.5				37.0	132F 0060
22.0				43.0	132F 0061

Micro drives from 1.5 kW and up have built in brake chopper

On-board power supply	
Output voltage	10.5 ± 0.5 V, 24 ± 0.5 V
Max. load (10 V)	25 mA
Max. load (24 V)	100 mA

Relay outputs	
Programmable relay outputs	1
Max. terminal load	240 V AC, 2 A

Fieldbus communication	
FC Protocol, Modbus RTU	

Cable lengths	
Max. motor cable length, screened (shielded)	15 m
Max. motor cable length, unscreened (unshielded)	50 m

Surroundings/ External	
Enclosure	IP 20
Vibration test	0.7 g
Max. relative humidity	5%–95% (IEC 721-3-3; Class 3K3 (non-condensing) during operation)
Aggressive environment	(IEC 721-3-3), coated class 3C3
Ambient temperature	Max. 50° C
24-hour average	Max. 40° C

Approvals	
CE, C-tick, UL	

Protection and features	
<ul style="list-style-type: none"> • Electronic thermal motor protection against overload • Temperature monitoring of the heat sink protects the drive from overheating • The drive is protected against short-circuits on motor terminals U, V, W • The drive is protected against earth fault on motor terminals U, V, W 	



Cabinet sizes (mounting flange incl.)

[mm]	M1	M2	M3	M4	M5
Height	150	176	239	292	335
Width	70	75	90	125	165
Depth	148	168	194	241	248

+ 6 mm with potentiometer

What VLT[®] is all about

Danfoss VLT Drives is the world leader among dedicated drives providers – and still gaining market share.

Environmentally responsible

VLT[®] products are manufactured with respect for the safety and well-being of people and the environment.

All activities are planned and performed taking into account the individual employee, the work environment and the external environment. Production takes place with a minimum of noise, smoke or other pollution and environmentally safe disposal of the products is pre-prepared.

UN Global Compact

Danfoss has signed the UN Global Compact on social and environmental responsibility and our companies act responsibly towards local societies.

EU Directives

All factories are certified according to ISO 14001 standard. All products fulfil the EU Directives for General Product Safety and the Machinery directive. Danfoss VLT Drives is, in all product series, implementing the EU Directive concerning Hazardous Substances in Electrical and Electronic Equipment (RoHS) and is designing all new product series according to the EU Directive on Waste Electrical and Electronic Equipment (WEEE).

Impact on energy savings

One year's energy savings from our annual production of VLT[®] drives will save the energy equivalent to the energy production from a major power plant. Better process control at the same time improves product quality and reduces waste and wear on equipment.

Dedicated to drives

Dedication has been a key word since 1968, when Danfoss introduced the world's first mass produced variable speed drive for AC motors – and named it VLT[®].

Twenty five hundred employees develop, manufacture, sell and service drives and soft starters in more than one hundred countries, focused only on drives and soft starters.

Intelligent and innovative

Developers at Danfoss VLT Drives have fully adopted modular principles in development as well as design, production and configuration.

Tomorrow's features are developed in parallel using dedicated technology platforms. This allows the development of all elements to take place in parallel, at the same time reducing time to market and ensuring that customers always enjoy the benefits of the latest features.

Rely on the experts

We take responsibility for every element of our products. The fact that we develop and produce our own features, hardware, software, power modules, printed circuit boards, and accessories is your guarantee of reliable products.

Local backup – globally

VLT[®] motor controllers are operating in applications all over the world and Danfoss VLT Drives' experts located in more than 100 countries are ready to support our customers with application advice and service wherever they may be.

Danfoss VLT Drives experts don't stop until the customer's drive challenges are solved.



Below is a list of articles with direct links to our shop Electric Automation Network where you can see:

- Quote per purchase volume in real time.
- Online documentation and datasheets of all products.
- Estimated delivery time enquiry in real time.
- Logistics systems for the shipment of materials almost anywhere in the world.
- Purchasing management, order record and tracking of shipments.

To access the product, [click on the green button.](#)

Product	Code	Reference	Product link
VLT® Micro Drive	132F0001		Buy on EAN
VLT® Micro Drive	132F0002		Buy on EAN
VLT® Micro Drive	132F0003		Buy on EAN
VLT® Micro Drive	132F0005		Buy on EAN
VLT® Micro Drive	132F0007		Buy on EAN
VLT® Micro Drive	132F0008		Buy on EAN
VLT® Micro Drive	132F0009		Buy on EAN
VLT® Micro Drive	132F0010		Buy on EAN
VLT® Micro Drive	132F0012		Buy on EAN
VLT® Micro Drive	132F0014		Buy on EAN
VLT® Micro Drive	132F0017		Buy on EAN
VLT® Micro Drive	132F0018		Buy on EAN
VLT® Micro Drive	132F0020		Buy on EAN
VLT® Micro Drive	132F0022		Buy on EAN

VLT® Micro Drive	132F0024	Buy on EAN
VLT® Micro Drive	132F0026	Buy on EAN
VLT® Micro Drive	132F0028	Buy on EAN
VLT® Micro Drive	132F0030	Buy on EAN
VLT® Micro Drive	132F0058	Buy on EAN
VLT® Micro Drive	132F0059	Buy on EAN
VLT® Micro Drive	132F0060	Buy on EAN
VLT® Micro Drive	132F0061	Buy on EAN