



Residual current operated circuit breaker, 2-pole, Type AC, In: 40 A, 30 mA, Un AC: 230 V

Model	
product brand name	SETRON
product designation	RCCB
design of the product	Instantaneous
General technical data	
number of poles	2
size of installation devices / acc. to DIN 43880	1
mechanical service life (switching cycles) / typical	10 000
short-circuit current / of series fuse / maximum permissible	63 A
short-circuit current rating	10 kA
switching function / short-term delayed	No
overvoltage category	III
Supply voltage	
supply voltage	
• at AC / rated value	230 V
• for testing equipment / minimum	195 V
operating frequency	50 Hz
supply voltage frequency / rated value	50 Hz
Protection class	
protection class IP	IP20, if the distribution board is installed, with connected conductors
Switching capacity	
switching capacity current	
• acc. to EN 60898 / rated value	0.5 kA
• according to IEC 61008-1 / rated value	0.5 kA
Dissipation	
power loss [W]	
• for rated value of the current / at AC / in hot operating state / per pole	2.6 W
• maximum	5.2 W
Current	
tripping fault current / rated value	30 mA
operational current	
• at 40 °C / rated value	40 A
• at 45 °C / rated value	38.1 A
• at 50 °C / rated value	35.59 A
• at 55 °C / rated value	32.29 A
• at 60 °C / rated value	28.19 A
• at 65 °C / rated value	23.3 A
• at 70 °C / rated value	17.6 A

• at AC / rated value	40 A
residual current type	AC
let-through current / permissible	5 200 kA
I _{2t} value / permissible	58 000 A ² ·s

Product details	
product feature / silicon-free	Yes
product extension / installable / supplementary devices	Yes

Connections	
connectable conductor cross-section / solid	
• minimum	0.75 mm ²
• maximum	35 mm ²
connectable conductor cross-section / stranded	
• minimum	0.75 mm ²
• maximum	35 mm ²
tightening torque / with screw-type terminals	
• minimum	2.5 N·m
• maximum	3 N·m
position / of power supply cord	top or bottom

Mechanical Design	
height	90 mm
width	36 mm
depth	70 mm
installation depth	70 mm
number of modular width units	2
fastening method	DIN rail (REG)
mounting position	any
net weight	222 g

Environmental conditions	
ambient temperature / during operation	
• minimum	-25 °C
• maximum	45 °C
ambient temperature / during storage	
• minimum permissible	-40 °C
• maximum permissible	75 °C
number of test cycles / for environmental testing / acc. to IEC 60068-2-30	28

General Product Approval	EMC
---------------------------------	------------



[Miscellaneous](#)



Declaration of Conformity	Test Certificates	other	Railway	Dangerous Good
----------------------------------	--------------------------	--------------	----------------	-----------------------



[Miscellaneous](#)

[Miscellaneous](#)

[Confirmation](#)

[Vibration and Shock](#)

[Transport Information](#)

Further information

Information- and Downloadcenter (Catalogs, Brochures,...)

<http://www.siemens.com/lowvoltage/catalogs>

Industry Mall (Online ordering system)

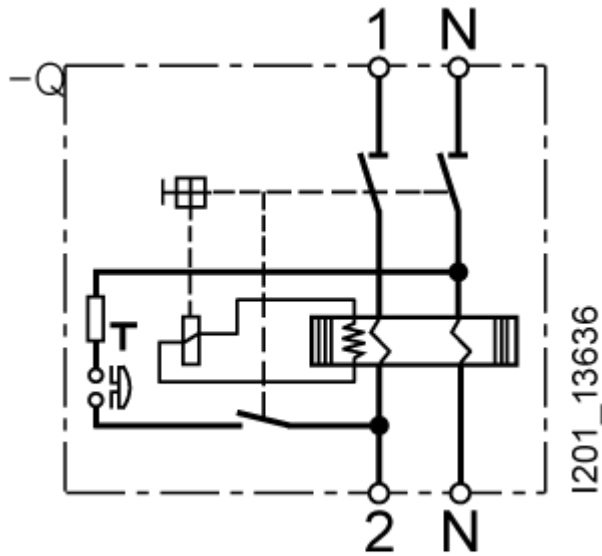
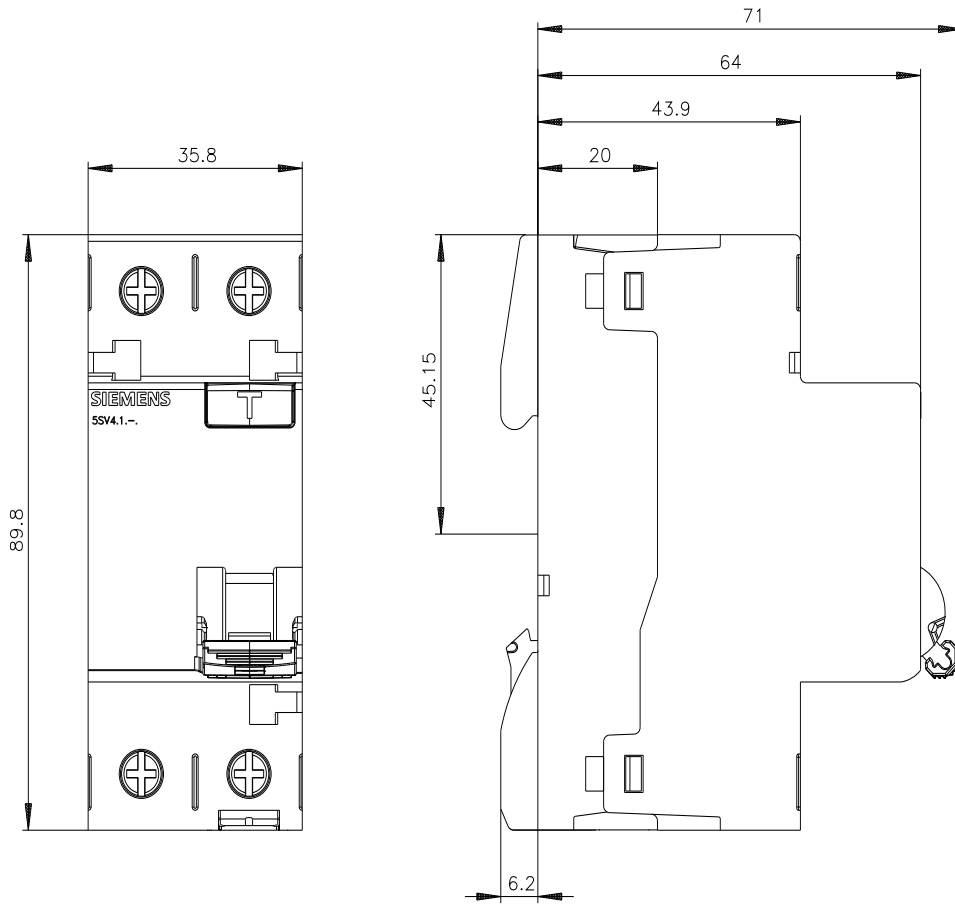
<https://mall.industry.siemens.com/mall/en/en/Catalog/product?mlfb=5SV4314-0>

Service&Support (Manuals, Certificates, Characteristics, FAQs,...)

<https://support.industry.siemens.com/cs/ww/en/ps/5SV4314-0>

Image database (product images, 2D dimension drawings, 3D models, device circuit diagrams, ...)

http://www.automation.siemens.com/bilddb/cax_en.aspx?mlfb=5SV4314-0



-CB

